

## Eco Preparation 1400 mm Work Table with Upstand - disassembled

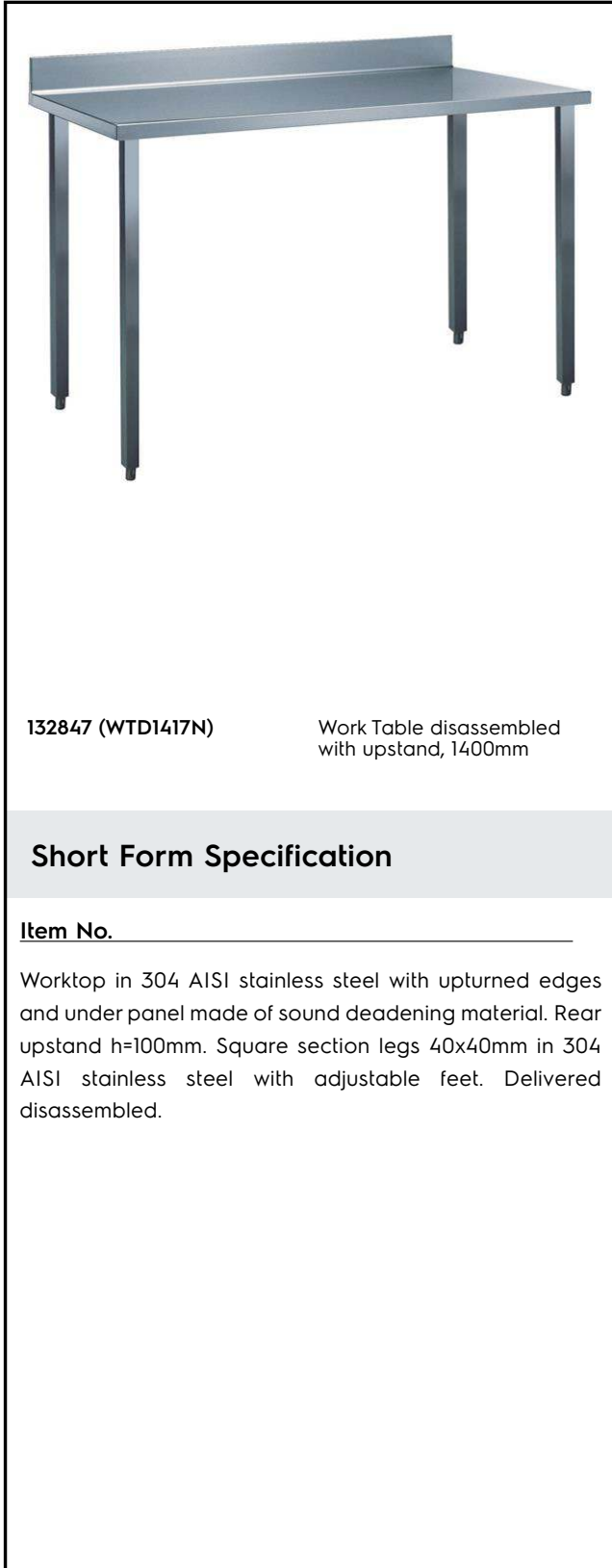
ITEM # \_\_\_\_\_

MODEL # \_\_\_\_\_

NAME # \_\_\_\_\_

SIS # \_\_\_\_\_

AIA # \_\_\_\_\_



132847 (WTD1417N)

Work Table disassembled  
with upstand, 1400mm

### Short Form Specification

Item No. \_\_\_\_\_

Worktop in 304 AISI stainless steel with upturned edges and under panel made of sound deadening material. Rear upstand h=100mm. Square section legs 40x40mm in 304 AISI stainless steel with adjustable feet. Delivered disassembled.

### Main Features

- The table can be ordered with the drawer of 400 mm or 600 mm (optional accessory): thanks to the design of the drawer, additional drawers can be added to the first single drawer to create chest of 2, 3 or 4 drawers based on customer's needs.
- Sturdiness, stability and reliability of table accurately tested.

### Construction

- Delivered in knock-down package.
- Constructed entirely in stainless steel to offer maximum durability.
- Wide range of taps are available to suit every need.

### Optional Accessories

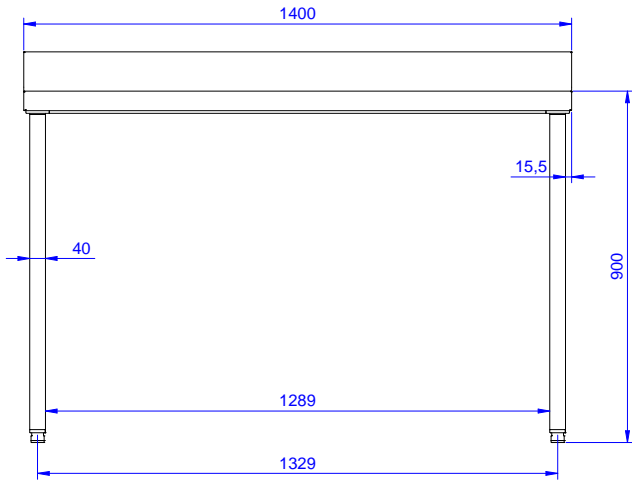
- Lower shelf for 1400mm tables and sinks PNC 855146
- Set of 4 wheels (2 with brake) d. 100mm for tables and sinks (total height on wheels= 993 mm) PNC 855150
- 3-sided underframe for 1400mm tables PNC 855153

APPROVAL: \_\_\_\_\_

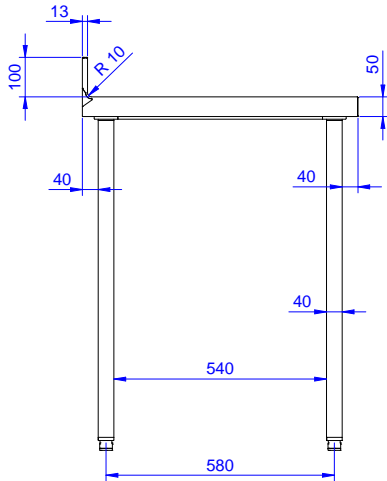
**Key Information:**

|                                     |         |
|-------------------------------------|---------|
| <b>External dimensions, Width:</b>  |         |
| <b>132847 (WTD1417N)</b>            | 1400 mm |
| <b>External dimensions, Depth:</b>  | 700 mm  |
| <b>External dimensions, Height:</b> | 900 mm  |
| <b>Worktop thickness:</b>           | 50 mm   |
| <b>Worktop/Shelf radius:</b>        | 90°     |
| <b>Net weight:</b>                  | 47 kg   |

Front



Side



Top

